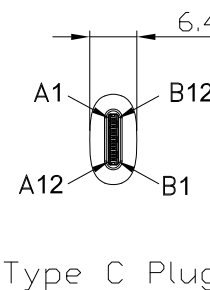
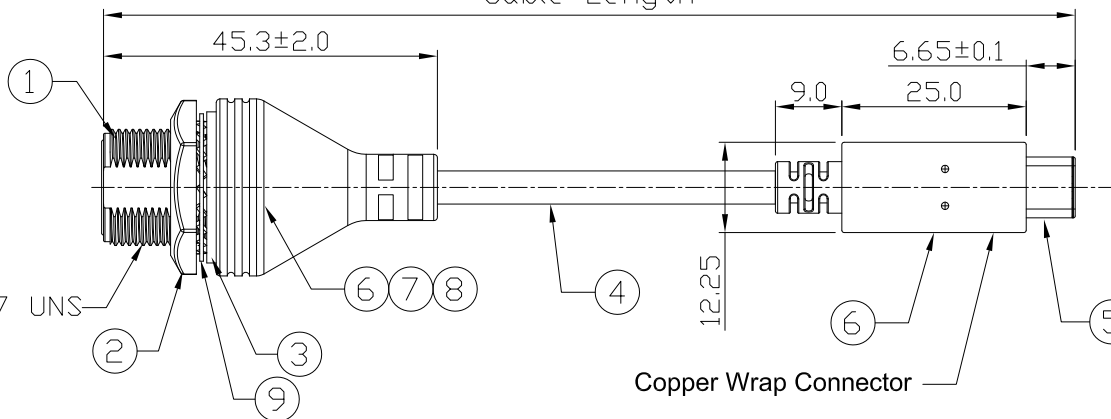
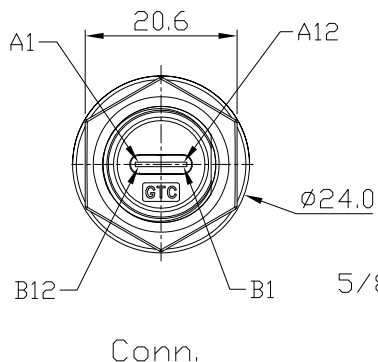


Notes: (Unless Otherwise Specified)

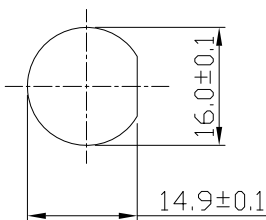
- 1. Waterproof Rate: IP68.
- 2. Recommend Panel Thickness: 0.8 to 6.0 mm.
- 3. Recommend Torque: 19~20 Kgf-cm.
- 4. Mating Cap P/N: GT1C5231X2/GT2C123012.
- 5. RoHS Compliant.
- 6. Type C AB面接點需跟圖面一致.

REV	ECN#	DESCRIPTION OF REVISION	DRAW BY DATE	CHECK BY DATE	APPROVE BY DATE
03	ECN-190839	Change Wire&Mylar Color	Lucas 08/30/19	Lucas 08/30/19	Ray 08/30/19

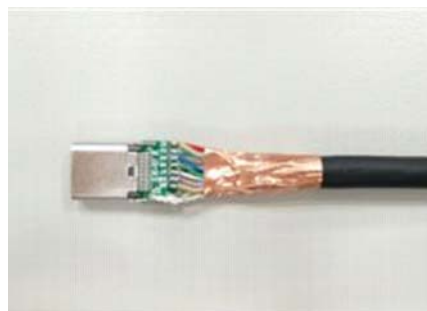
GTC
DOC.CENTER.ISSUE
SEP.02.2019
ONLY FOR
RELEASE



Item	Part Name	Material / Finish	Q'ty
9	Metal Washer	SUS Finish:-	1
8	EMI Shielded Plate	Copper Alloy Finish: Ni Plated	1
7	Glue	Epoxy Color: Black	
6	Over Mold	PVC Color: Black	2
5	USB Type C 3.1	Housing: Thermoplastic, Color: Black Contacts: Copper Alloy, Finish: Au Plated Shell: Stainless Steel, Finish: Au Plated	1
4	Cable	UL21572(1P/32#+EAM)*4+(1P/32#+A)+(4C/32#+)(1C/24#+)+2EAB 85% OD:4.8mm BLACK TPE JACKET.	1
3	Gasket	Silicone Color: Black	1
2	Hex Nut	Zn Alloy Finish: Ni Plated	1
1	Housing	Zn Alloy Finish: Ni Plated	1



Front View
Recommend
Panel Cut-Out



編織需雙面導電銅箔導通跟PCB板距離4~5mm

Part No.	Cable Length	Tol.
GT21C310-01-02	2000 mm	+100
GT21C310-01-01	1000 mm	+50
GT21C310-01-Z9	900 mm	+50
GT21C310-01-Z8	800 mm	+50
GT21C310-01-Z7	700 mm	+50
GT21C310-01-Z6	600 mm	+50
GT21C310-01-Z5	500 mm	+50
GT21C310-01-Z4	400 mm	+50
GT21C310-01-Z3	300 mm	+25
GT21C310-01-Z2	200 mm	+25
GT21C310-01-Z1	100 mm	+25

TITLE						DRAWING NUMBER			REV.
USB 3.1 Type C Metal C2 Cable To Cable Jack Screw With Type C Plug						GT21C310-01-XX			03
THIRD ANGLE PROJECTION	SIZE	SCALE	DRAW / DATE	CHECK / DATE	APPROVE / DATE	TOLERANCES		UNIT	SHEET
	B	1:1	Lucas 11/05/18	Lucas 11/05/18	Ray 11/05/18	X.X ± 0.5 X.XX ± 0.2	X.XXX ± 0.05 ANGLES ± 1°	mm	1/3

GT Contact CO.,LTD

NOTICE OF PROPRIETARY PROPERTY:
THE INFORMATION CONTAINED HEREIN IS THE PROPRIETARY PROPERTY OF GT CONTACT CO.,LTD THE POSSESSOR AGREES TO THE FOLLOWING:
(a) TO MAINTAIN THIS DOCUMENT IN CONFIDENCE
(b) NOT TO REPRODUCE OR COPY IT
(c) NOT TO REVEAL OR PUBLISH IT IN WHOLE OR PART
(d) ALL RIGHTS RESERVED

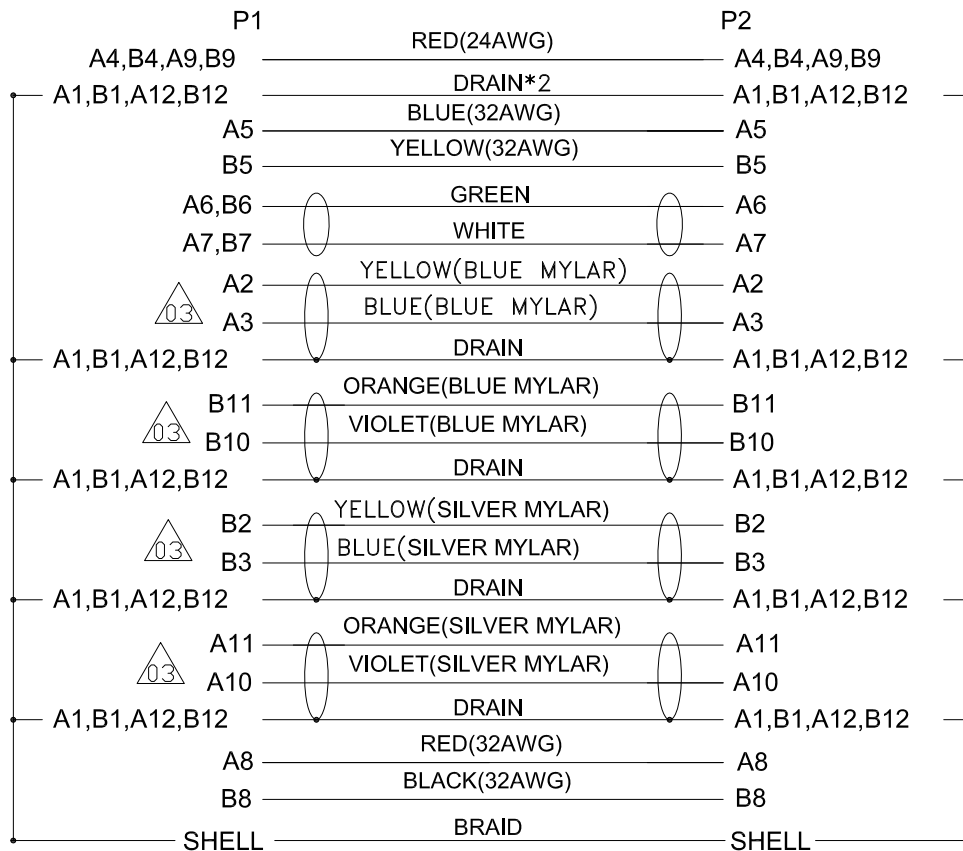
1

2

3

4

REV	ECN#	DESCRIPTION OF REVISION	DRAW BY DATE	CHECK BY DATE	APPROVE BY DATE
03	ECN-190839	Change Wire&Mylar Color	Lucas 08/30/19	Lucas 08/30/19	Ray 08/30/19



Conn.

Type C Plug

Wiring Diagram



GT Contact CO.,LTD

NOTICE OF PROPRIETARY PROPERTY:

THE INFORMATION CONTAINED HEREIN IS THE PROPRIETARY PROPERTY OF GT Contact CO.,LTD THE POSSESSOR AGREES TO THE FOLLOWING:
 (i) TO MAINTAIN THIS DOCUMENT IN CONFIDENCE
 (ii) NOT TO REPRODUCE OR COPY IT
 (iii) NOT TO REVEAL OR PUBLISH IT IN WHOLE OR PART
 (iv) ALL RIGHTS RESERVED

TITLE USB 3.1 Type C Metal C2 Cable To Cable Jack Screw With Type C Plug						DRAWING NUMBER GT21C310-01-XX		REV. 03
	B	1:1	Lucas 11/05/18	Lucas 11/05/18	Ray 11/05/18	X.X ± 0.5 X.XX ± 0.2	X.XXX ± 0.05 ANGLES ± 1°	mm 2/3
THIRD ANGLE PROJECTION	SIZE	SCALE	DRAW / DATE	CHECK / DATE	APPROVE / DATE	TOLERANCES		UNIT SHEET

1

2

3

4

1

2

3

4

REV	ECN#	DESCRIPTION OF REVISION	DRAW BY DATE	CHECK BY DATE	APPROVE BY DATE
03	ECN-190839	Change Wire&Mylar Color	Lucas 08/30/19	Lucas 08/30/19	Ray 08/30/19

***CONSTRUCTION:

1.CABLE: * UL21572(1P/32#+EAM)*4+(1P/32#+A)+(4C/32#)+(1C/24#)+2EAB 85%
OD:4.8mm BLACK TPE JACKET.

***CONNECTOR:

2.USB C/M: * USB TYPE C MALE SOLDER TYPE,PCB WITHOUT IC,
* PINS: 30u GOLD PLATED OVER NICKEL.
* INSULATOR: BLACK THERMOPLASTIC 94V-0 RATED.
* SHELL: STEEL WITH GOLD PLATED.
* CAPACITOR.
* MOLDED: BLACK PVC 45P.

3.USB C/F: * USB TYPE C FEMALE SOLDER TYPE,PCB WITHOUT IC,
* PINS: 30u GOLD PLATED OVER NICKEL.
* INSULATOR: BLACK COLOR LCP 94V-0 RATED.
* SHELL: STEEL WITH GOLD FLASH.

4.TEST: * CT: 2 ohm IS: 5M ohm



GT Contact CO.,LTD

NOTICE OF PROPRIETARY PROPERTY:
THE INFORMATION CONTAINED HEREIN IS THE PROPRIETARY PROPERTY OF GT Contact CO.,LTD THE POSSESSOR AGREES TO THE FOLLOWING:
(i) TO MAINTAIN THIS DOCUMENT IN CONFIDENCE
(ii) NOT TO REPRODUCE OR COPY IT
(iii) NOT TO REVEAL OR PUBLISH IT IN WHOLE OR PART
(iv) ALL RIGHTS RESERVED

TITLE USB 3.1 Type C Metal C2 Cable To Cable Jack Screw With Type C Plug						DRAWING NUMBER GT21C310-01-XX			REV. 03
	B	1:1	Lucas 11/05/18	Lucas 11/05/18	Ray 11/05/18	X.X ± 0.5 X.XX ± 0.2	X.XXX ± 0.05 ANGLES ± 1°	mm	3/3
THIRD ANGLE PROJECTION	SIZE	SCALE	DRAW / DATE	CHECK / DATE	APPROVE / DATE	TOLERANCES		UNIT	SHEET

1

2

3

4