

1

2

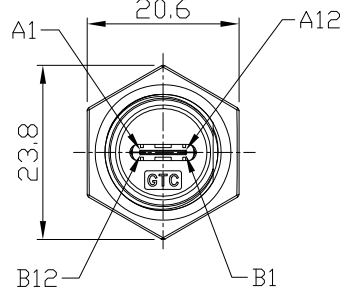
3

4

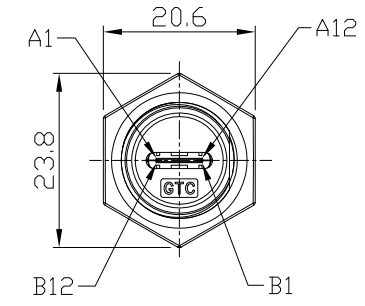
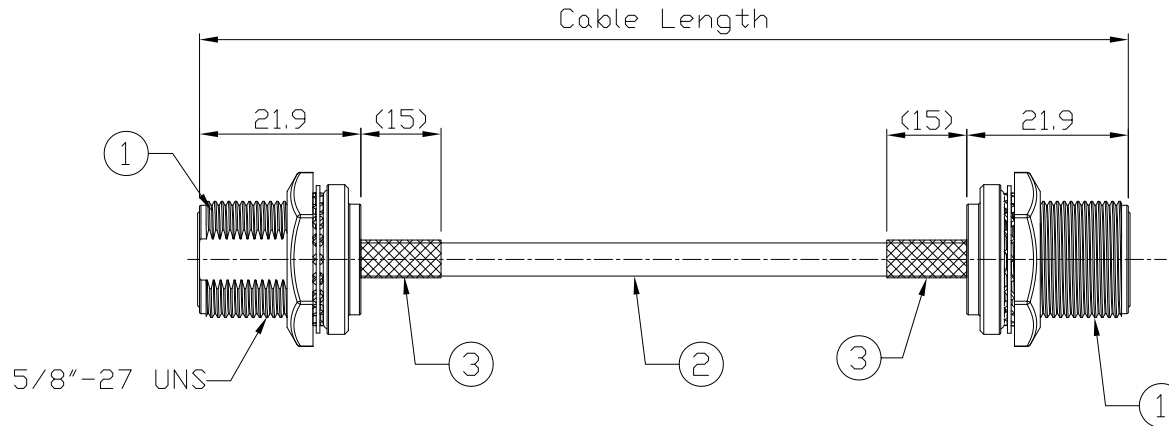
Notes: (Unless Otherwise Specified)

- 1. Waterproof Rate: IP68.
- 2. Recommend Panel Thickness: 0.8 to 6.0 mm.
- 3. Recommend Torque: 19~20 Kgf-cm.
- 4. Mating Cap P/N: GT1C5231X2/GT2C123012.
- 5. RoHS Compliant.
- 6. Type C AB面接點需跟圖面一致.
- 7. UL Certified #E364108.

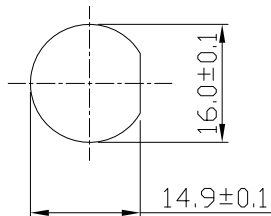
REV	ECN#	DESCRIPTION OF REVISION	DRAW BY DATE	CHECK BY DATE	APPROVE BY DATE
01			Lucas 10/22/19	Lucas 10/22/19	Ray 10/22/19



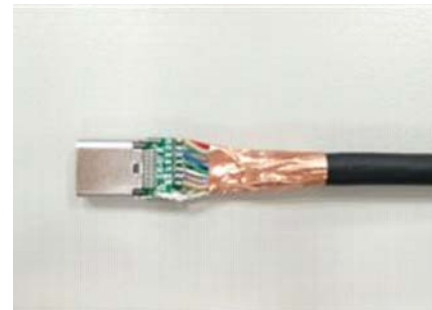
Conn1.



Conn2.



Front View Recommend Panel Cut-Out



編織需跟雙面導電銅箔導通跟PCB板距離4~5mm

Part No.	Cable Length	Tol.
GT21C300-0M-02	2000 mm	+100
GT21C300-0M-01	1000 mm	+50
GT21C300-0M-Z9	900 mm	+50
GT21C300-0M-Z8	800 mm	+50
GT21C300-0M-Z7	700 mm	+50
GT21C300-0M-Z6	600 mm	+50
GT21C300-0M-Z5	500 mm	+50
GT21C300-0M-Z4	400 mm	+50
GT21C300-0M-Z3	300 mm	+25
GT21C300-0M-Z2	200 mm	+25
GT21C300-0M-Z1	100 mm	+25

Item	Part Name	Material / Finish	Q'ty
3	Shrink Tube	L=20mm, Heat Shrink Tube With Adhesive Lined Color: Black	2
2	Cable	UL21572 (1P/32#+EAM)*4+(1P/32#+A)+(4C/32#+)(1C/24#+)2EAB 85% DD:4.8mm BLACK TPE JACKET.	1
1	USB 3.1 Type C Metal C2 Panel Jack Screw	GT Contact P/N: GT21C300-03-XX	2

TITLE						DRAWING NUMBER			REV.	
USB 3.1 Type C Metal C2 Panel Twin-head Jack Screw With Cable						GT21C300-0M-XX			01	
THIRD ANGLE PROJECTION	SIZE	SCALE	DRAW / DATE	CHECK / DATE	APPROVE / DATE	TOLERANCES		UNIT	SHEET	
	B	1:1	Lucas 10/22/19	Lucas 10/22/19	Ray 10/22/19	X.X ± 0.5 X.XX ± 0.2	X.XXX ± 0.05 ANGLES ± 1°	mm	1/2	

GT Contact CO.,LTD

NOTICE OF PROPRIETARY PROPERTY:
THE INFORMATION CONTAINED HEREIN IS THE PROPRIETARY PROPERTY OF GT Contact CO.,LTD THE POSSESSOR AGREES TO THE FOLLOWING:
(a) TO MAINTAIN THIS DOCUMENT IN CONFIDENCE
(b) NOT TO REPRODUCE OR COPY IT
(c) NOT TO REVEAL OR PUBLISH IT IN WHOLE OR PART
(d) ALL RIGHTS RESERVED

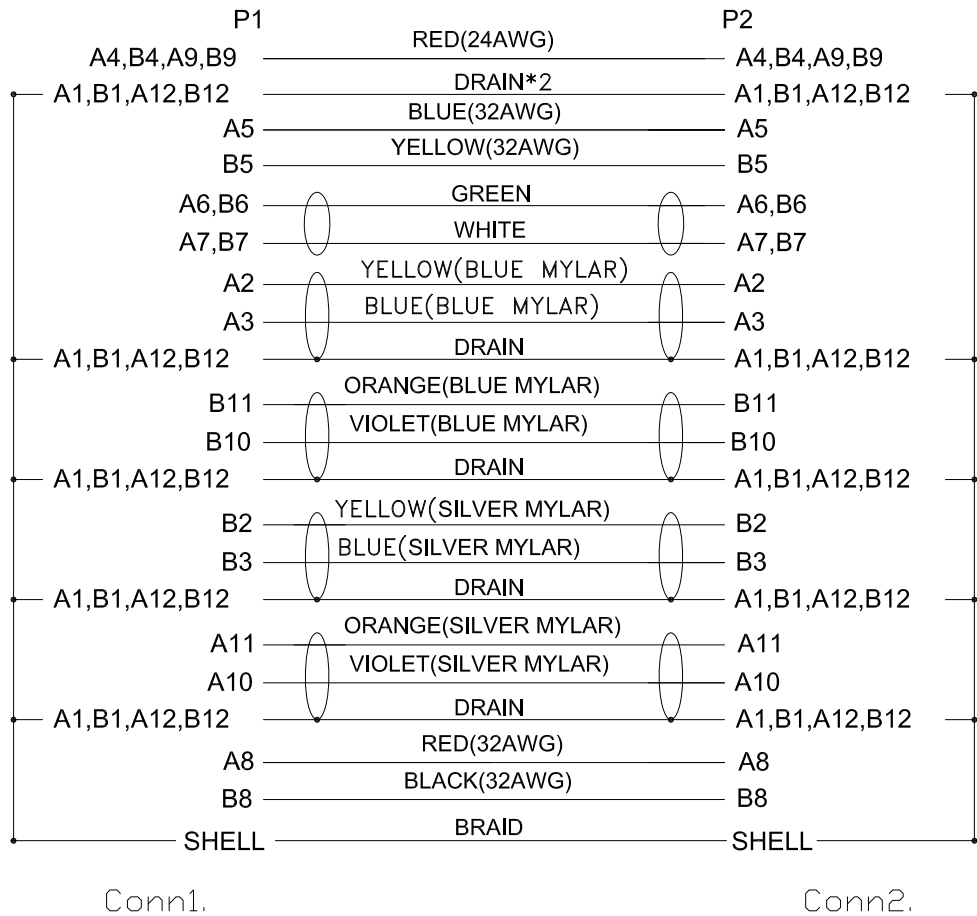
1

2

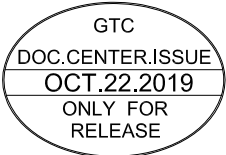
3

4

REV	ECN#	DESCRIPTION OF REVISION	DRAW BY DATE	CHECK BY DATE	APPROVE BY DATE
01			Lucas 10/22/19	Lucas 10/22/19	Ray 10/22/19



Wiring Diagram



GT Contact CO.,LTD

TITLE USB 3.1 Type C Metal C2 Panel Twin-head Jack Screw With Cable						DRAWING NUMBER GT21C300-0M-XX			REV. 01	
THIRD ANGLE PROJECTION		SIZE	SCALE	DRAW / DATE	CHECK / DATE	APPROVE / DATE	TOLERANCES		UNIT	SHEET
DO NOT SCALE DRAWINGS		B	1:1	Lucas 10/22/19	Lucas 10/22/19	Ray 10/22/19	X.X ± 0.5 X.XX ± 0.2	X.XXX ± 0.05 ANGLES ± 1°	mm	2/2

NOTICE OF PROPRIETARY PROPERTY:
 THE INFORMATION CONTAINED HEREIN IS THE PROPRIETARY PROPERTY OF GT Contact CO.,LTD THE POSSESSOR AGREES TO THE FOLLOWING:
 (1) TO MAINTAIN THIS DOCUMENT IN CONFIDENCE
 (2) NOT TO REPRODUCE OR COPY IT
 (3) NOT TO REVEAL OR PUBLISH IT IN WHOLE OR PART
 (4) ALL RIGHTS RESERVED