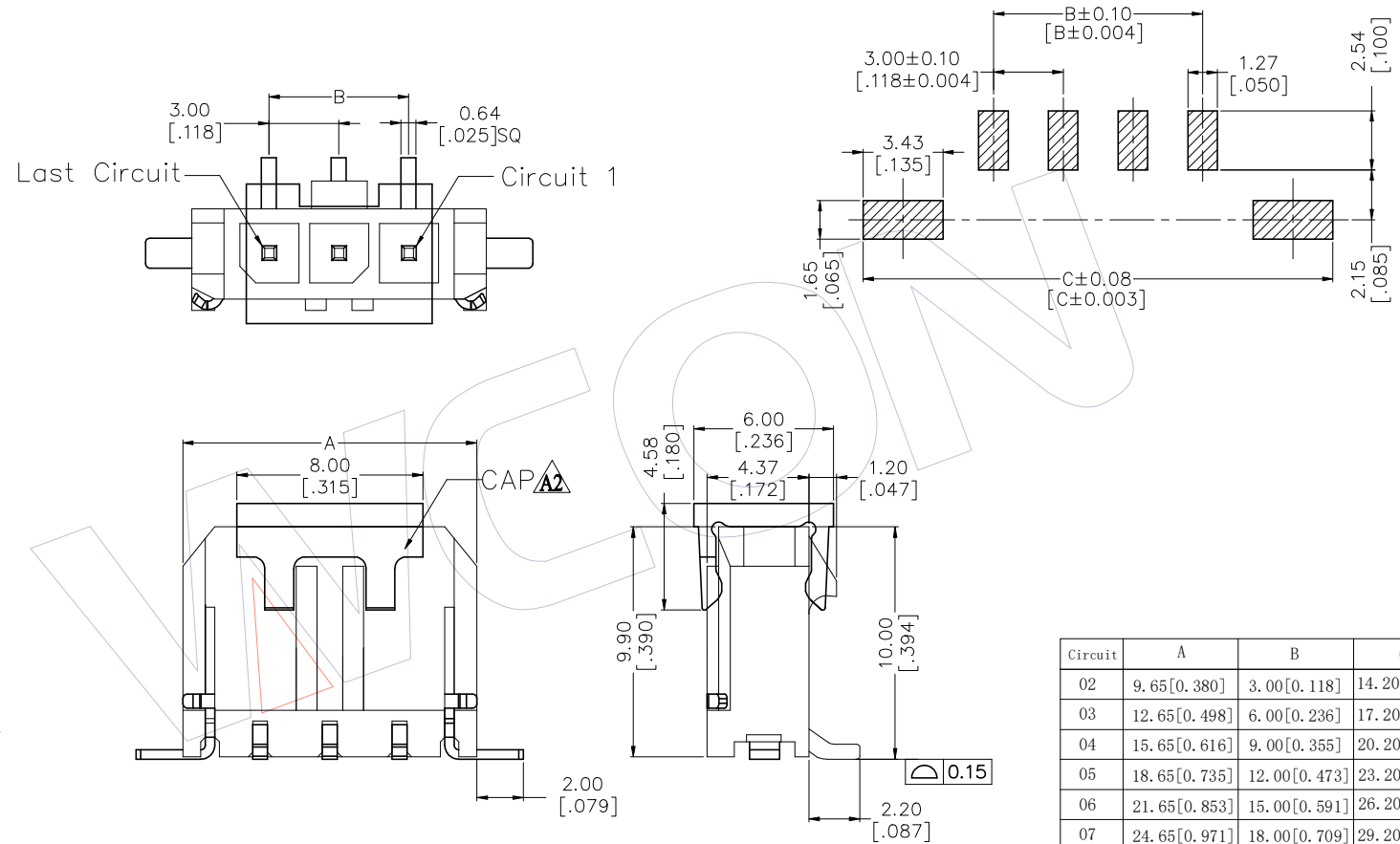


HSF

NOTES:
 Current Rating: 5.0A AMP
 Contact Resistance: 10milliohm Max
 Withstand Voltage: 1000V AC/Minute
 Insulation Resistance: 1000Megohm Min
 Operation Temperature: -25°C to +85°C

Housing Material: LCP+30%GF(UL94V-0)
 Contact Material: Copper alloy
 Contact plating: Au/Sn over Ni Plating

RECOMMENDED PCB LAYOUT
 TOLERANCE IS ±0.05



Ordering Information

WF3001-1 WM XX B X 2

Terminal shape: WM: Wafer 180°SMT
 NO. of Pins: 02~12Pin
 Packing: 0=PE Bag, T=Tube, A=Tray, R=Tape&Reel

| Circuit | A | B | C |
|---------|--------------|--------------|--------------|
| 02 | 9.65[0.380] | 3.00[0.118] | 14.20[0.559] |
| 03 | 12.65[0.498] | 6.00[0.236] | 17.20[0.677] |
| 04 | 15.65[0.616] | 9.00[0.355] | 20.20[0.795] |
| 05 | 18.65[0.735] | 12.00[0.473] | 23.20[0.913] |
| 06 | 21.65[0.853] | 15.00[0.591] | 26.20[1.031] |
| 07 | 24.65[0.971] | 18.00[0.709] | 29.20[1.150] |
| 08 | 27.65[1.089] | 21.00[0.827] | 32.20[1.268] |
| 09 | 30.65[1.207] | 24.00[0.945] | 35.20[1.386] |
| 10 | 33.65[1.325] | 27.00[1.063] | 38.20[1.504] |
| 11 | 36.65[1.443] | 30.00[1.181] | 41.20[1.622] |
| 12 | 39.65[1.561] | 33.00[1.299] | 44.20[1.740] |

| REV | DATE | MODIFICATION DESCRIPTION | CHANGE | OPERATION | DRAW | DATE | SCALE | PART NO. |
|-----|------------|---------------------------------------|--------|-------------|---------|------------|------------|--|
| A2 | 2019.02.27 | 增加夹持盖 | — | X.X ±0.40 | Ding | 2019.02.27 | 1:1 | WF3001-1WMXXBX2 |
| A1 | 2012.05.02 | 料号由WF3001-1WMHXXBX2变更为WF3001-1WMXXBX2 | Atomy | X.XX ±0.25 | CHECK | DATE | mm inch | TITLE: |
| A0 | 2011.12.20 | NEW | - | X.XXX ±0.15 | APPROVE | DATE | A4 | 3.0 Wafer Single Row 180°SMT With Latch |
| | | | | Angle ± 3° | | | 1/1 | Customer NO. |
| | | | | DIM TOL | | | PROJ. | |

WCON
 Http: www.wcon.com

WCON—Dongguan Tel: +86 769 85358920
 WCON—Kunshan Tel: +86 512 57468408
 Fax: +86 769 85358915 Fax: +86 512 57468468
 E-mail: sales@wcon.com E-mail: salesks@wcon.com