

**TaylorMade**  
**Solutions**  
**are welcome!**

**wittig**

Capacitor Holder

Capacitor Spacer

Capacitor Washer

Capacitor Insulation

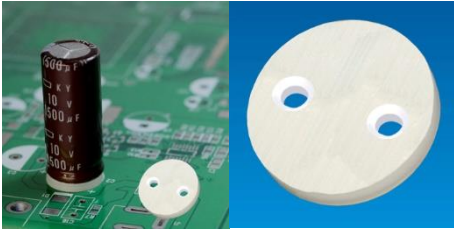
Capacitor Accessories



[www.wittig-electronic.de](http://www.wittig-electronic.de)

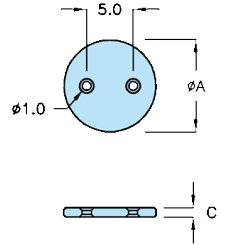
# Capacitor Washer

## E-CAP Washer p.5

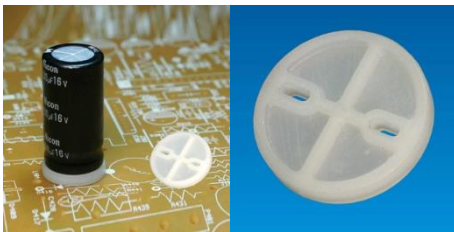


Material: Nylon66  
Flame class: 94V-2  
Color: Natural

PART NO	A	C
ECW-001	Ø10.0	1.0

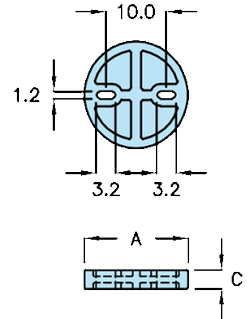


## E-CAP Washer p.10



Material: Nylon66  
Flame class: 94V-2  
Color: Natural

PART NO	A	C
ECW-002	Ø17.2	3.0

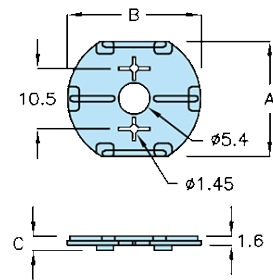


## E-CAP Washer p.10



Material: Nylon66  
Flame class: 94V-2  
Color: Natural

PART NO	A	B	C
ECW-003	20.0	Ø23.0	2.6

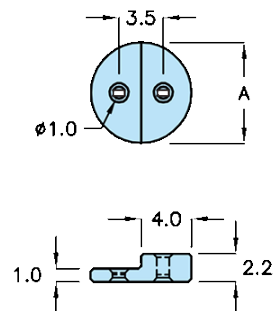


## E-CAP Stepwasher p.3.5



Material: Nylon66 + GF30%  
Flame class: 94V-0  
Color: Black

PART NO	A
ECW-004	Ø8.0

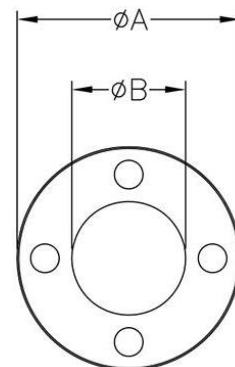


# Capacitor Washer

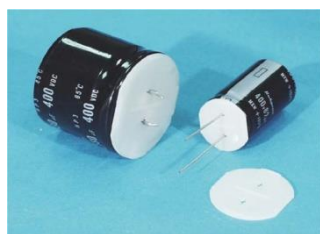
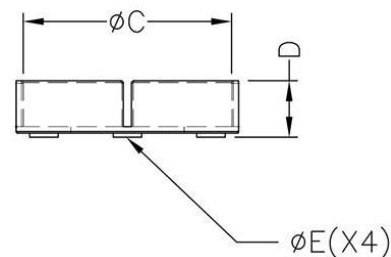


## E-CAP Washer $\varnothing 18 \sim 30$

Material: Nylon66  
 Flame class: 94V-0  
 Color: Black/ Natural

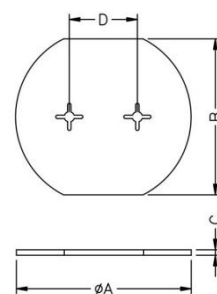


PART NO	A	B	C	D	E
ECW-005	$\varnothing 18.3$	$\varnothing 8.9$	$\varnothing 16.6$	6.9	2.7
ECW-006	$\varnothing 20.3$	$\varnothing 8.9$	$\varnothing 18.6$	6.9	2.7
ECW-007	$\varnothing 27.3$	$\varnothing 13.9$	$\varnothing 25.6$	6.9	3.5
ECW-008	$\varnothing 32.3$	$\varnothing 16.4$	$\varnothing 30.5$	6.9	3.5



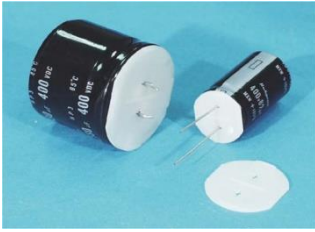
## E-CAP Washer $\varnothing 25.4$

Material: Nylon66  
 Flame class: 94V-0  
 Color: Black/ Natural



PART NO	A	B	C	D
ECW-009	$\varnothing 25.7$	23.0	0.8	10.0

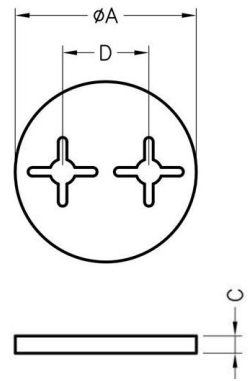
# Capacitor Washer



## E-CAP Washer p.5

Material: Nylon66  
 Flame class: 94V-0  
 Color: Black/ Natural

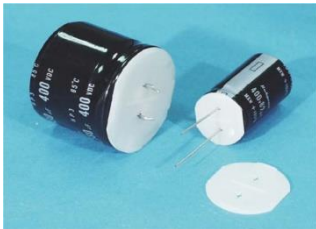
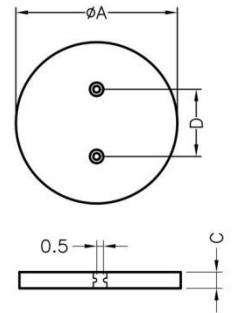
PART NO	A	C	D
ECW-010	Ø10.5	1.0	5.0



## E-CAP Washer p.5

Material: Nylon66  
 Flame class: 94V-0  
 Color: Black/ Natural

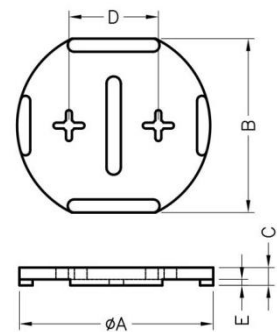
PART NO	A	C	D
ECW-011	Ø12.0	1.5	5.0



## E-CAP Washer p.7.5 ~ 10

Material: Nylon66  
 Flame class: 94V-0  
 Color: Black/ Natural

PART NO	A	B	C	D	E
ECW-012	16.2	14.6	1.0	7.5	0.5
90F10093	18.2	16.4	1.5	7.5	1.0
90F10152	22.2	20.0	1.0	10.0	0.5
90F10150	25.7	23.0	1.0	10.0	0.5
90F10151	30.3	27.2	1.0	10.0	0.5
90F10108	35.3	31.8	1.5	10.0	0.5
90F10109	35.3	31.8	2.0	10.0	1.0



# Capacitor Washer

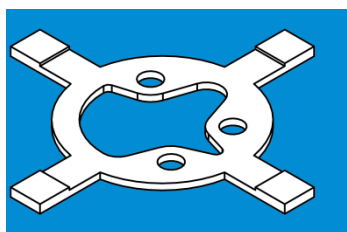
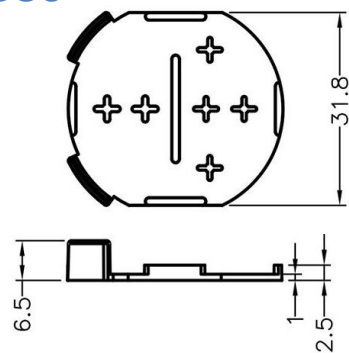


## E-CAP Washer Multipin Ø30

Material: Nylon66  
Flame class: 94V-0  
Color: Black/ Natural

**PART NO**

90F10152

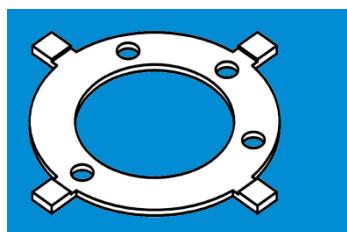
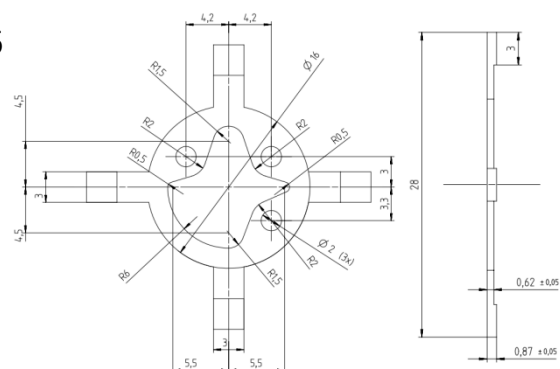


## E-CAP Washer 3 Pin Ø30

Material: Nylon66  
Color: Black

**PART NO**

90F10164

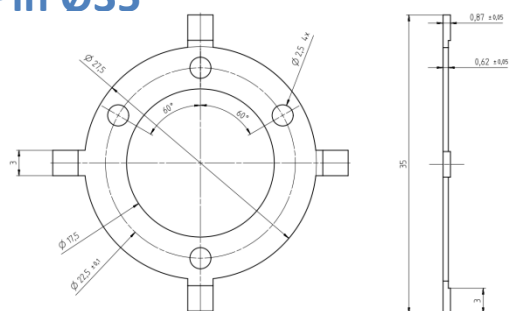


## E-CAP Washer 4 Pin Ø35

Material: Nylon66  
Color: Black

**PART NO**

90F10174



HEADQUARTER

**wittig ELECTRONIC GmbH**

Gewerbegebiet Süd Nr. 5  
D-09618 Brand-Erbisdorf

☎ +49 037322 5280-0

✉ info@wittig-electronic.de  
www.wittig-electronic.de

SUBSIDIARY SOUTH-EAST-EUROPE

**wittig ELECTRONIC s.r.o.**

Prumyslová 2151/4  
CZ-68001 Boskovice

☎ +420 515 550-805

✉ wittig@wittig-electronic.cz  
www.wittig-electronic.cz

**TaylorMade**  
**Solutions**  
**are welcome!**