

PL524 Series 5mm LED Metal Outer Reflector Holder

Features

- *PL16 LED used
- *Panel Mount Indicator
- *Metal Holder Chrome or Black Finish
- *Mounting Hole 8 mm (0.315")
- *Mounting Hardware Included
- *Low Current, Super & Ultra Bright and Bi-Color available
- *Color Transparent (CT) Water Clear (WC) White Diffused (WD) Lens available
- *Available with Integrated Current Limiting Resistors for 5V, 12V or 24V Operation
- *Standard Leads or 26AWG (+) Red and (-) Black 6" Wire Leads
- *Other Wire Lengths and Colors avail-

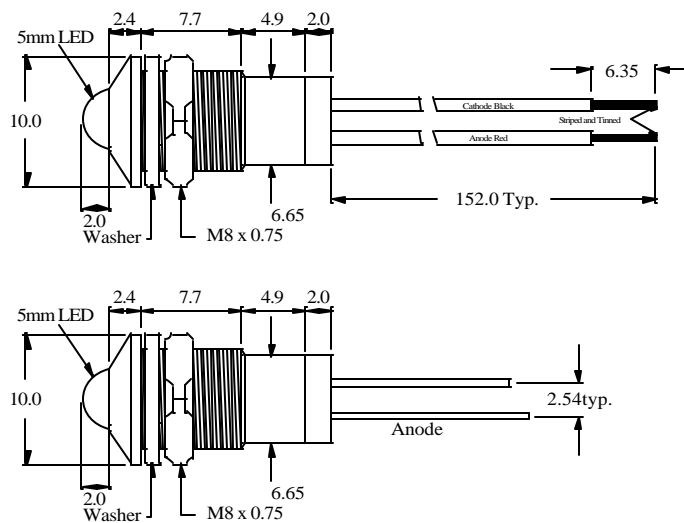
Absolute Maximum Ratings at T_A = 25 °C

Reverse Voltage (<100µA).....	5.0V
Max Forward Current.....	30mA
Peak Forward Current (1/10 Duty Cycle, 0.1ms Pulse Width)	100mA
Operating Temperature Range	-25°C to + 85°C
Storage Temperature Range	-25°C to + 100°C
Soldering Temperature (1.6 mm below body).....	260° for 5 seconds

Electrical & Optical Characteristics at T_A = 25 °C

Part Number		Emitting Color	Material	Peak Wave Length	View Angle 2θ ½	Forward Voltage @20mA (V)		Luminous Intensity @20mA (mcd)	
						Typ	Max	Min	Typ
Standard Leads	6" Wire Leads			(nm)	Deg				
PL524-1R24-1	PL524-1R24-2	Bright Red	GaP	700	44°	2.1	3.0	2.5	4.1
PL524-1R12-1	PL524-1R12-2	Hi-Eff Red	GaAsP on GaP	635		2.1	3.0	14.0	23.0
PL524-1G13-1	PL524-1G13-2	High Eff Green	GaP	567		2.1	3.0	12.0	20.0
PL524-1Y01-1	PL524-1Y01-2	Yellow	GaAsP on GaP	585		2.1	3.0	10.0	16.0
PL524-1A02-1	PL524-1A02-2	Amber	GaAsP on GaP	610		2.1	3.0	14.0	23.0
PL524-1O12-1	PL524-1O12-2	Orange	GaAsP on GaP	635		2.1	3.0	14.0	23.0

Package Dimensions are in **Millimeters** . Tolerance is ± 0.25mm unless otherwise specified.



PL524 Series 5mm 5V LED Metal Outer Reflector Holder

Features

- *PL16 LED used
- *Panel Mount Indicator
- *Metal Holder Chrome or Black Finish
- *Mounting Hole 8 mm (0.315")
- *Mounting Hardware Included
- *Low Current, Super & Ultra Bright and Bi-Color available
- *Color Transparent (CT) Water Clear (WC) White Diffused (WD) Lens available
- *Available with Integrated Current Limiting Resistors for 12V or 24V Operation
- *Standard Leads or 26AWG (+) Red and (-) Black 6" Wire Leads
- *Other Wire Lengths and Colors avail-

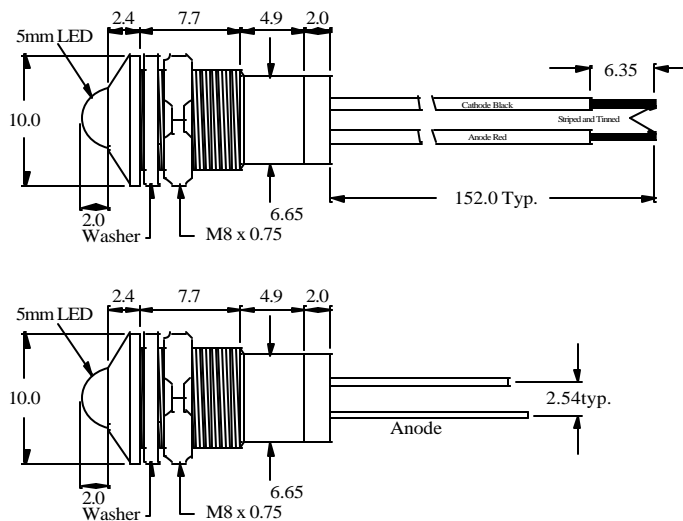
Absolute Maximum Ratings at T_A = 25 °C

Reverse Voltage (<100µA).....	5.0V
Max Forward Current.....	30mA
Peak Forward Current (1/10 Duty Cycle, 0.1ms Pulse Width)	100mA
Operating Temperature Range	-25°C to + 85°C
Storage Temperature Range	-25°C to + 100°C
Soldering Temperature (1.6 mm below body).....	260° for 5 seconds

Electrical & Optical Characteristics at T_A = 25 °C

Part Number		Emitting Color	Material	Peak Wave Length	View Angle 2θ ½	Forward Voltage @20mA (V)		Luminous Intensity @20mA (mcd)	
						Typ	Max	Min	Typ
Standard Leads	6" Wire Leads			(nm)	Deg				
PL524-1R24-1-5V	PL524-1R24-2-5V	Bright Red	GaP	700	44°	5.0	7.0	2.5	4.1
PL524-1R12-1-5V	PL524-1R12-2-5V	Hi-Eff Red	GaAsP on GaP	635		5.0	7.0	14.0	23.0
PL524-1G13-1-5V	PL524-1G13-2-5V	High Eff Green	GaP	567		5.0	7.0	12.0	20.0
PL524-1Y01-1-5V	PL524-1Y01-2-5V	Yellow	GaAsP on GaP	585		5.0	7.0	10.0	16.0
PL524-1A02-1-5V	PL524-1A02-2-5V	Amber	GaAsP on GaP	610		5.0	7.0	14.0	23.0
PL524-1O12-1-5V	PL524-1O12-2-5V	Orange	GaAsP on GaP	635		5.0	7.0	14.0	23.0

Package Dimensions are in **Millimeters** . Tolerance is ± 0.25mm unless otherwise specified.



PL524 Series 5mm 12V LED Metal Outer Reflector Holder

Features

- *PL16 LED used
- *Panel Mount Indicator
- *Metal Holder Chrome or Black Finish
- *Mounting Hole 8 mm (0.315")
- *Mounting Hardware Included
- *Low Current, Super & Ultra Bright and Bi-Color available
- *Color Transparent (CT) Water Clear (WC) White Diffused (WD) Lens available
- *Available with Integrated Current Limiting Resistors for 5V or 24V Operation
- *Standard Leads or 26AWG (+) Red and (-) Black 6" Wire Leads
- *Other Wire Lengths and Colors avail-

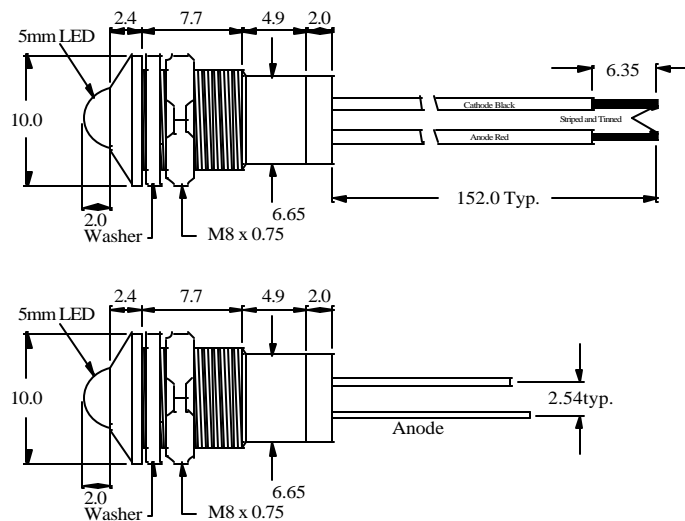
Absolute Maximum Ratings at T_A = 25 °C

Reverse Voltage (<100µA).....	5.0V
Max Forward Current.....	30mA
Peak Forward Current (1/10 Duty Cycle, 0.1ms Pulse Width)	100mA
Operating Temperature Range	-25°C to + 85°C
Storage Temperature Range	-25°C to + 100°C
Soldering Temperature (1.6 mm below body).....	260° for 5 seconds

Electrical & Optical Characteristics at T_A = 25 °C

Part Number		Emitting Color	Material	Peak Wave Length	View Angle 2θ ½	Forward Voltage @20mA (V)		Luminous Intensity @20mA (mcd)	
						Typ	Max	Min	Typ
Standard Leads	6" Wire Leads			(nm)	Deg				
PL524-1R24-1-12V	PL524-1R24-2-12V	Bright Red	GaP	700	44°	12.0	15.0	2.5	4.1
PL524-1R12-1-12V	PL524-1R12-2-12V	Hi-Eff Red	GaAsP on GaP	635		12.0	15.0	14.0	23.0
PL524-1G13-1-12V	PL524-1G13-2-12V	High Eff Green	GaP	567		12.0	15.0	12.0	20.0
PL524-1Y01-1-12V	PL524-1Y01-2-12V	Yellow	GaAsP on GaP	585		12.0	15.0	10.0	16.0
PL524-1A02-1-12V	PL524-1A02-2-12V	Amber	GaAsP on GaP	610		12.0	15.0	14.0	23.0
PL524-1O12-1-12V	PL524-1O12-2-12V	Orange	GaAsP on GaP	635		12.0	15.0	14.0	23.0

Package Dimensions are in **Millimeters** . Tolerance is ± 0.25mm unless otherwise specified.



PL524 Series 5mm 24V LED Metal Outer Reflector Holder

Features

- *PL16 LED used
- *Panel Mount Indicator
- *Metal Holder Chrome or Black Finish
- *Mounting Hole 8 mm (0.315")
- *Mounting Hardware Included
- *Low Current, Super & Ultra Bright and Bi-Color available
- *Color Transparent (CT) Water Clear (WC) White Diffused (WD) Lens available
- *Available with Integrated Current Limiting Resistors for 5V or 12V Operation
- *Standard Leads or 26AWG (+) Red and (-) Black 6" Wire Leads
- *Other Wire Lengths and Colors avail-

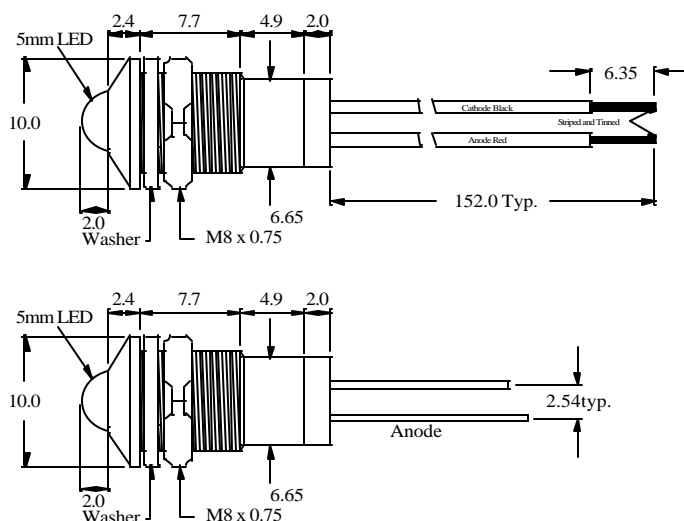
Absolute Maximum Ratings at T_A = 25 °C

Reverse Voltage (<100µA).....	5.0V
Max Forward Current.....	30mA
Peak Forward Current (1/10 Duty Cycle, 0.1ms Pulse Width)	100mA
Operating Temperature Range	-25°C to + 85°C
Storage Temperature Range	-25°C to + 100°C
Soldering Temperature (1.6 mm below body).....	260° for 5 seconds

Electrical & Optical Characteristics at T_A = 25 °C

Part Number		Emitting Color	Material	Peak Wave Length	View Angle 2θ ½	Forward Voltage @20mA (V)		Luminous Intensity @20mA (mcd)	
						Typ	Max	Min	Typ
Standard Leads	6" Wire Leads			(nm)	Deg				
PL524-1R24-1-24V	PL524-1R24-2-24V	Bright Red	GaP	700	44°	24.0	27.0	2.5	4.1
PL524-1R12-1-24V	PL524-1R12-2-24V	Hi-Eff Red	GaAsP on GaP	635		24.0	27.0	14.0	23.0
PL524-1G13-1-24V	PL524-1G13-2-24V	High Eff Green	GaP	567		24.0	27.0	12.0	20.0
PL524-1Y01-1-24V	PL524-1Y01-2-24V	Yellow	GaAsP on GaP	585		24.0	27.0	10.0	16.0
PL524-1A02-1-24V	PL524-1A02-2-24V	Amber	GaAsP on GaP	610		24.0	27.0	14.0	23.0
PL524-1O12-1-24V	PL524-1O12-2-24V	Orange	GaAsP on GaP	635		24.0	27.0	14.0	23.0

Package Dimensions are in **Millimeters** . Tolerance is ± 0.25mm unless otherwise specified.



PL524 Series 5mm Low Current LED Metal Outer Reflector Holder

Features

- *PL16 LED used
- *Panel Mount Indicator
- *Metal Holder Chrome or Black Finish
- *Mounting Hole 8 mm (0.315")
- *Mounting Hardware included
- *Standard, Super & Ultra Bright and Bi-Color available
- *Color Transparent (CT) Water Clear (WC) White Diffused (WD) Lens available
- *Available with Integrated Current Limiting Resistors for 5V, 12V or 24V Operation
- *Standard Leads or 26AWG (+) Red and (-) Black 6" Wire Leads
- *Other Wire Lengths and Colors available

Absolute Maximum Ratings at T_A = 25 °C

Reverse Voltage (<100µA).....	5.0V
Max Forward Current.....	30mA
Peak Forward Current (1/10 Duty Cycle, 0.1ms Pulse Width)	100mA
Operating Temperature Range	-25°C to + 85°C
Storage Temperature Range	-25°C to + 100°C
Soldering Temperature (1.6 mm below body).....	260° for 5 seconds

Electrical & Optical Characteristics at T_A = 25 °C

Part Number		Emitting Color	Material	Peak Wave Length	View Angle 2θ ½	Forward Voltage @2mA (V)		Luminous Intensity @2mA (mcd)	
Standard Leads	6" Wire Leads					Typ	Max	Min	Typ
PL524-1R12-1-LC	PL524-1R12-2-LC	Hi-Eff Red	GaAsP on GaP	635	44°	1.8	2.2	1.6	2.6
PL524-1G13-1-LC	PL524-1G13-2-LC	High Eff Green	GaP	567		1.8	2.2	1.3	2.2
PL524-1Y01-1-LC	PL524-1Y01-2-LC	Yellow	GaAsP on GaP	585		1.8	2.2	1.1	1.8
PL524-1O12-1-LC	PL524-1O12-2-LC	Orange	GaAsP on GaP	635		1.8	2.2	1.6	2.6

Package Dimensions are in **Millimeters** . Tolerance is ± 0.25mm unless otherwise specified.

